

MD200 AC Drive

Open loop, general purpose, compact drive

Features & Functions

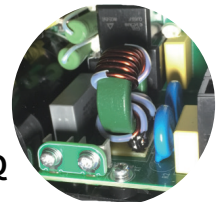
- Open loop V/F & Sensorless Vector Control
- Starting torque 150% at 3 Hz in SVC mode
- Modbus RTU or CANlink¹
- Automatic torque boost
- Slip compensation
- Easy startup with simplified parameters
- 2 Independent S-ramps
- Flexible programmable I/Os
- Variable DC injection braking
- Comprehensive diagnostics
- Output frequency: 500 Hz
- Built-in dynamic braking unit

NEW

Wide operating voltage
 Single-phase 200 to 240 Vac
 0.4 to 2.2 kW
 Three-phase 380 to 480 Vac
 0.4 to 3.7 kW



IND.CONT.EQ



NEW

Internal EMC filter (Category C3)²

Complies with EN61800-3
 Category C2
 2nd Environment
 (with external EMC filter)

NEW

PM motor control¹

Operation in high ambient
 temperatures $\leq 50^{\circ}\text{C}$
 Please note: If operating above 40°C ,
 derating is required

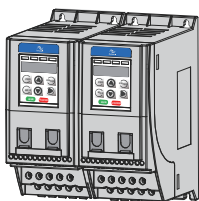
Enhanced reliability and
 protection against humidity and
 dust pollution with class 2 conformal
 coating (resistant to 3C2 and 3S2
 environments).

Onboard comms
 Modbus RTU
 (optional CANlink⁴)

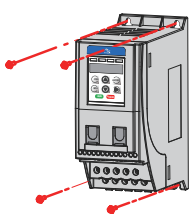
PC-Based
 software:
 simplified
 start up &
 backup³

NEW

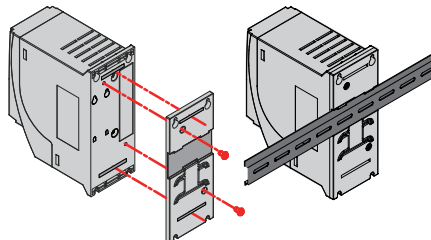
Flexible installation modes



Side-by-Side



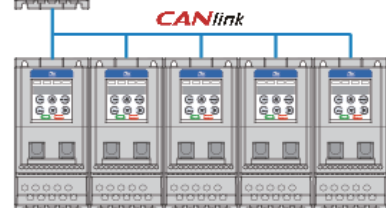
Wall Mounted



DIN rail mounted



CANlink speed sync.



Notes:

*1 Special versions. Contact your local Inovance Representative.

*2 Only single phase supply models.

*3 PC comms kit is required (optional accessory).

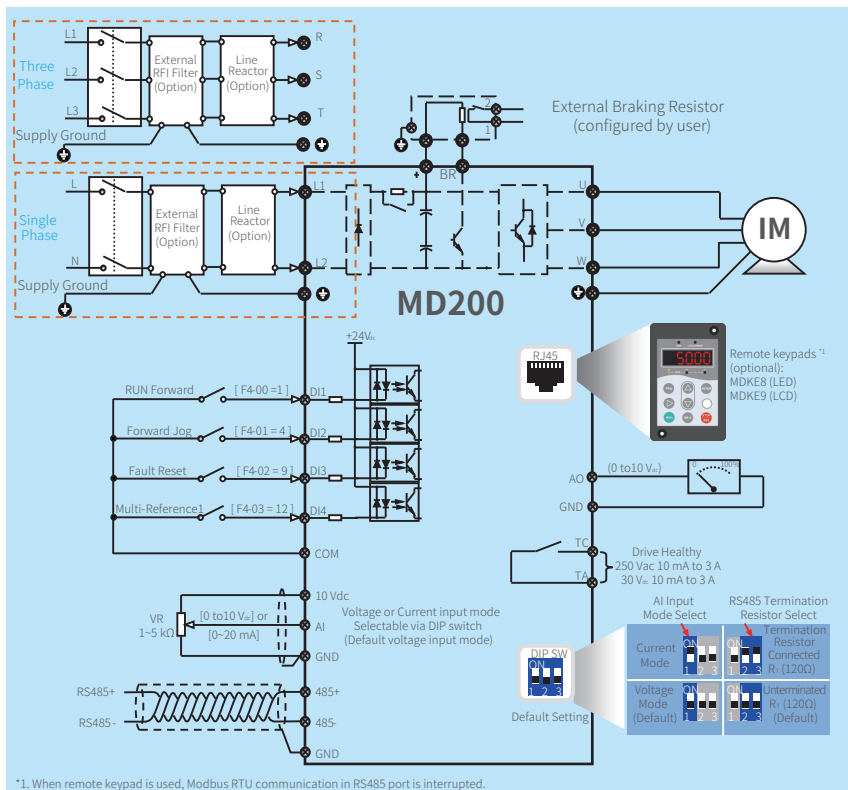
*4 CANlink is Inovance's proprietary serial comms.

General Specifications

Voltage Class		Single-phase 220 Vac				Three-phase 400 Vac					
Drive Model: MD200xxxxB-INT		S0.4B	S0.75B	S1.5B	S2.2B	T0.4B	T0.75B	T1.5B	T2.2B	T3.7B	
Dimension	Height Width Depth	[H1]: 180 mm [W]: 75 mm [D]: 145 mm				[H1]: 180 mm [W]: 75 mm [D]: 145 mm					
Drive Input	Rated input voltage	Single-phase 200 to 240 Vac -15% to +10%				Three-phase 380 to 480 Vac -15% to +10%					
	Rated input current [A]	6.5	11.0	18.0	27.0	2.6	4.5	5.5	6.5	11	
	Power capacity [kVA]	1.7	3.0	4.8	7.1	1	1.5	3.0	4.0	5.9	
	Rated input frequency	50/60 Hz ±5% (47.5 to 63 Hz)									
Drive Output	Applicable motor	[kW]	0.4	0.75	1.5	2.2	0.4	0.75	1.5	2.2	3.7
		[HP]	0.5	1	2	3	0.5	1	2	3	5
	Output Current [A]*4	2.6	4.6	8	11	1.8	3.4	4.8	5.5	9.5	
	Overload Capacity	150% for 60 s & 180% for 3 s									
	Max. output voltage	200 to 240 Vac (proportional to input voltage)					380 to 480 Vac (proportional to input voltage)				
	Max. output frequency	500 Hz									
Braking Resistor	Recommended power [kW]	80	80	100	100	150	150	250	300	400	
	Recommended resistance [Ω]	≥200	≥150	≥100	≥70	≥300	≥300	≥220	≥200	≥130	
Enclosure*5		IP20									

*4 Rated output current at a carrier frequency of 6 kHz.
*5 All units are fan cooled.

General Connection Diagram



*1. When remote keypad is used, Modbus RTU communication in RS485 port is interrupted.

For more information, please contact our local offices.

INOVANCE
Forward, Always Progressing

Hong Kong SAR (export office)
Tel: +852 2751 6080
info@inova-automation.com

South Korea-Seoul
Tel: +82 (0) 10 7428 5732
info@inova-automation.com

India
Head Office Chennai
Tel: +91 (0) 44 4380 0201
Ahmedabad Tel: +91 (0) 79 4003 4274
Mumbai Tel: +91 (0) 22 4971 5883
Delhi Tel: +91 (0) 11 4165 4524
Sales Network in Kolkata, Bengaluru, Coimbatore, Hyderabad, Pune
info.inovaindia@inova-automation.com

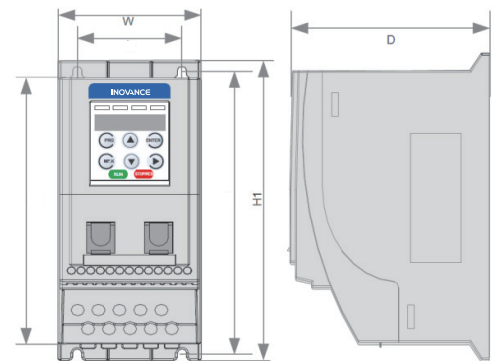
Germany-Stuttgart
Tel: +49 (0) 7144 8990
sales@powerautomation.com

Italy-Milano
Tel: +39 (0) 2268 22318
info@inova-automation.it

France-Bordeaux
Tel: +33 (0) 5594 01050
pa.france@powerautomation.com

Turkey-Istanbul
Tel: +90 (0) 21 6706 1789
info.turkey@inova-automation.com

Dimensions



Remote Keypads (optional)



Model: MDK9
Dimensions: 123 H x 72 W x 26.4 D (mm)
IP Rating: IP20
Matching cable model:
MDCAB 3.0 m (included)



Model: MDK8 (LED type)
Dimensions: 116 H x 76 W x 40 D (mm)
IP Rating: IP20
Matching cable model:
MDCAB 3.0 m (included)
Potentiometer (single turn)